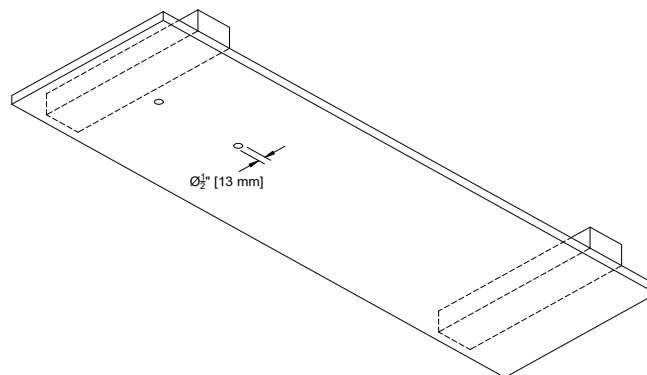


### Cautions and Warnings

1. This product must be installed in accordance with the applicable installation code by a licensed electrician familiar with the construction and operation of the product and hazards involved.
2. Power must be OFF when connecting the fixture. "hot plugging" the light engine and driver will damage the LED source.
3. The light engine is low voltage and is factory wired to the driver DO NOT CONNECT LIGHT ENGINE TO MAINS AC POWER.
4. LEDs should be protected from dust and debris during installation and maintenance.
5. Polarity is important. Black must be connected to black and red connected to red.

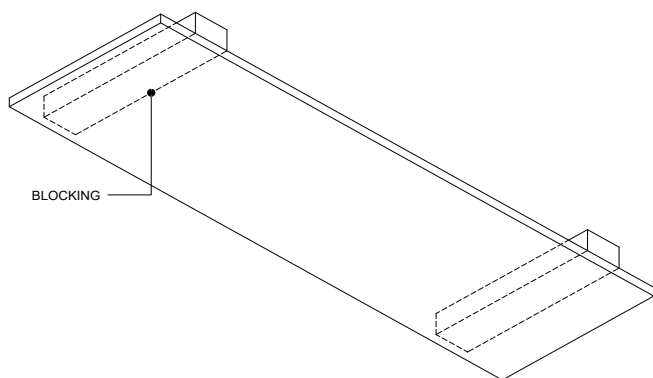
### Step B

Cut  $\text{Ø}1/2"$  [13 mm] opening(s) in ceiling to allow for flush mount of fixture. Refer to submittal drawing or cutsheet for location and quantity of feeds.



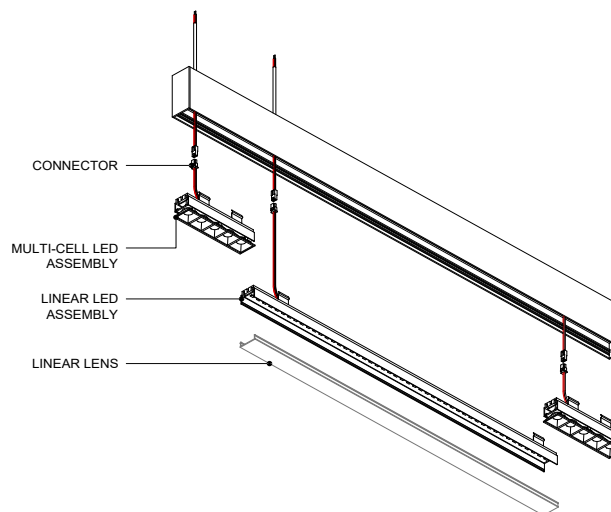
### Step A

Install blocking tied to framing at mounting points behind surface fixture is being mounted to at locations as indicated in submittal drawing. Refer to submittal drawing for location and quantity of mounting holes.



### Step C

Gently pry linear lens from housing. Remove linear LED assembly from housing by pulling LED assembly until springs retaining assembly in housing are clear of housing. Remove multi-cell LED assemblies until springs are clear of housing. Disconnect connectors, set LED assemblies and lens aside.

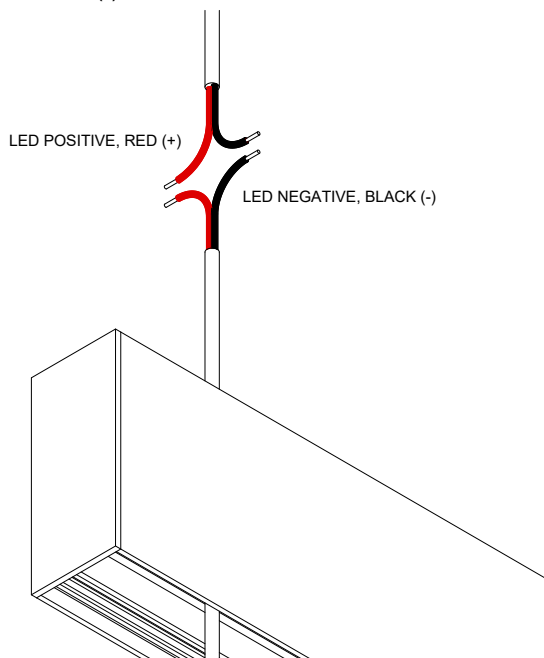


**\*\* LED'S SHOULD BE PROTECTED FROM DUST AND DEBRIS DURING INSTALLATION AND MAINTENANCE**

[Click here to read full Care and Maintenance](#)

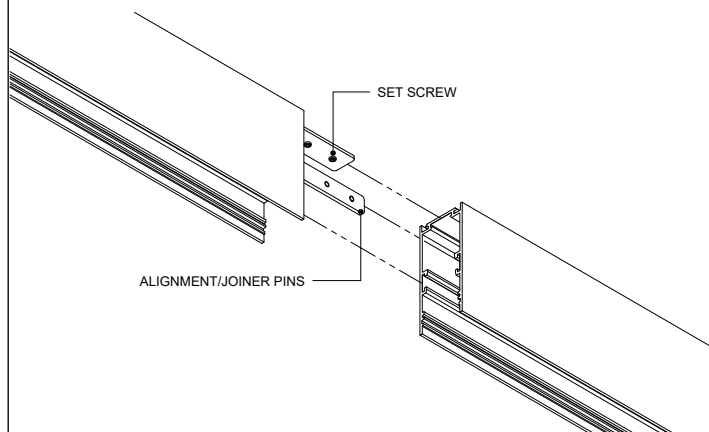
### Step D

Prior to installing the housing onto surface. Connect leads from the housing to their respective leads from the remote driver. ENSURE POSTIVE, RED (+) IS CONNECTED TO POSTIVE, RED (+) AND NEGATIVE, BLACK (-) IS CONNECTED TO NEGATIVE, BLACK (-).



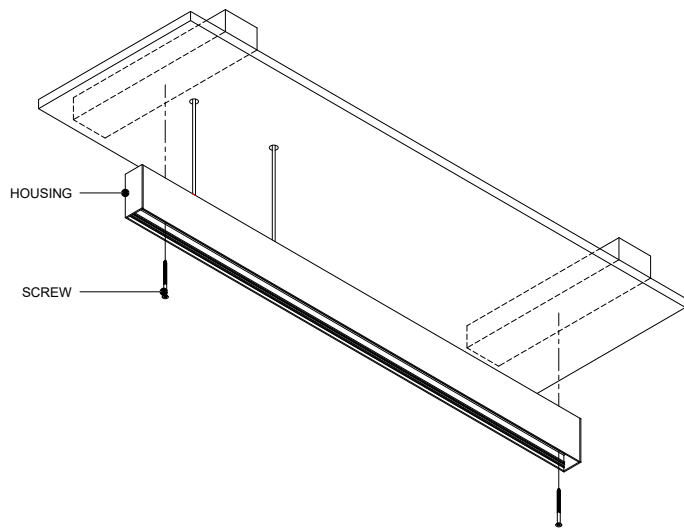
### Step F

For run lengths that require multiple sections. Pin/joiners may be moved by loosening set screw with 2mm hex wrench and sliding within slot inside of the housing. Lift housing into place until flush and aligned. Guide pin/joiner into corresponding slot. Tighten set screws on pin/joiners to secure housings to one another. Install to surface as shown in step E.



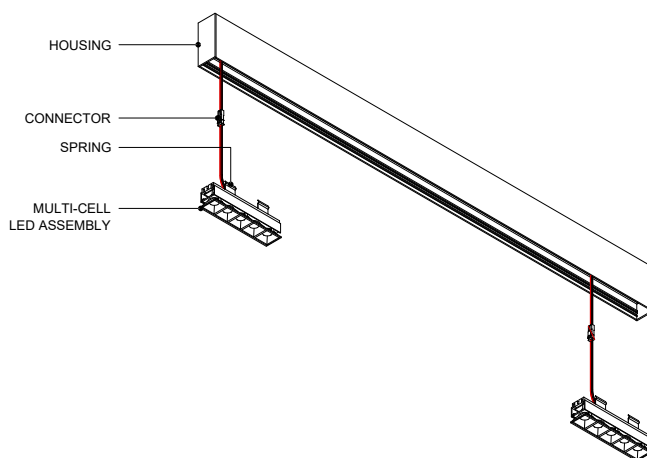
### Step E

Mount housing to surface with wood screws or fasteners suitable for blocking material used (by others) through housing into blocking.



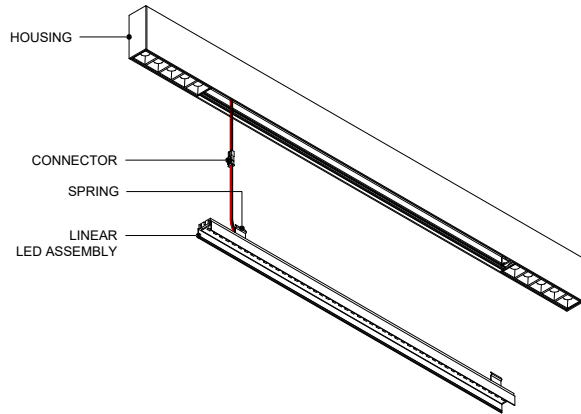
### Step G

Reconnect connectors to the multi-cell LED assemblies, connect included safety cables then secure assemblies to housing by pushing assembly into housing until springs on multi-cell LED assemblies securely engage the housing. install multi-cell LED assemblies in locations indicated within cutsheet or submittal drawing.



### Step H

Reconnect connector to the linear LED assembly, connect included safety cables, then secure assemblies to housing by pushing assembly into housing until springs on linear LED assembly securely engage the housing. install linear LED assemblies in locations indicated on submittal drawing or cutsheet.



### Step I

Re-install linear lens in opening below linear LED source. Turn on power to check electrical connection.

