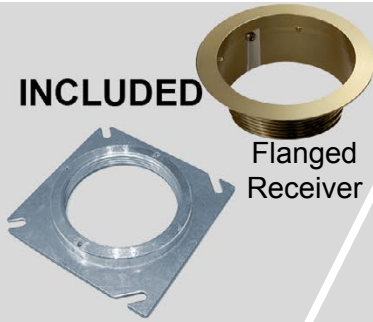


A

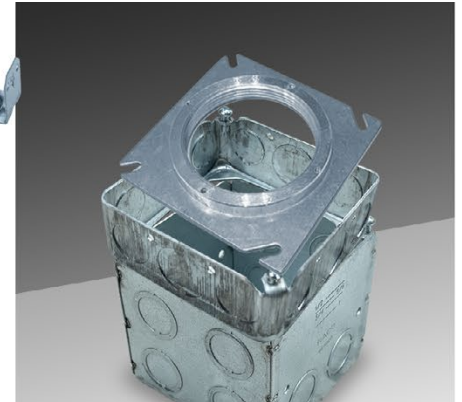
Monopoint(4505) Flanged Install with Integral driver

INCLUDED

Flanged Receiver

Ceiling Collar*

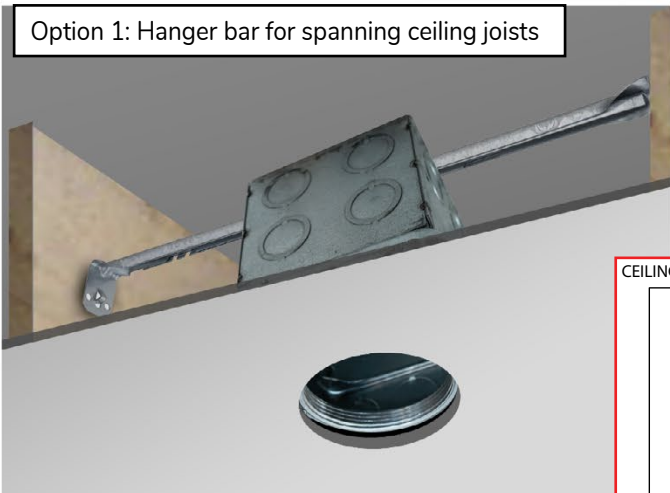
*Ceiling Collar is reversible when installing

NOT INCLUDEDHanger Bar for RACO J-BOXES
Supplied by others
RACO- HUBBELL CAT#920J-Boxes Recommend
Supplied by othersRACO PN#255 w/Bracket
or RACO PN#256 w/o Bracket**OPTIONAL:**
RACO PN#201
1-1/2" Extension Box
(for additional wiring space)

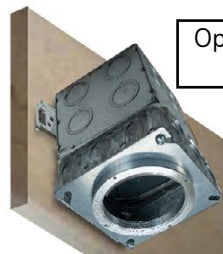
Step 2- Attach face plate with threaded collar to junction box with 2 screws. Collar to be face down - towards inside of J-box. Threaded collar to be face up, towards floor, for ceiling thickness <1/2" reverse the direction of the collar". Tighten screws

Step 1- J-Boxes, hanger bars and/or mounting brackets are not included. Please purchase.

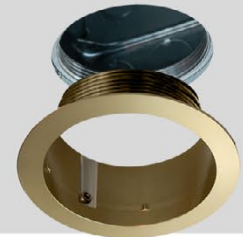
Option 1: Hanger bar for spanning ceiling joists



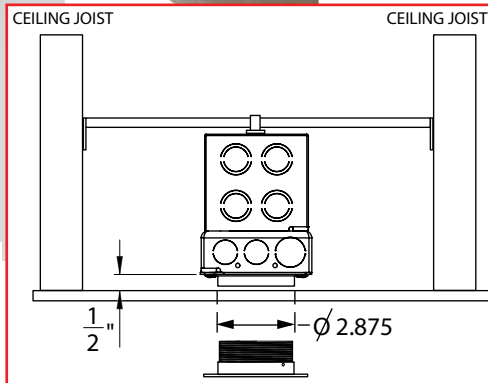
Option 2- J-Box nailed to side of joist



Paint ceiling prior to installing Flange Trim.

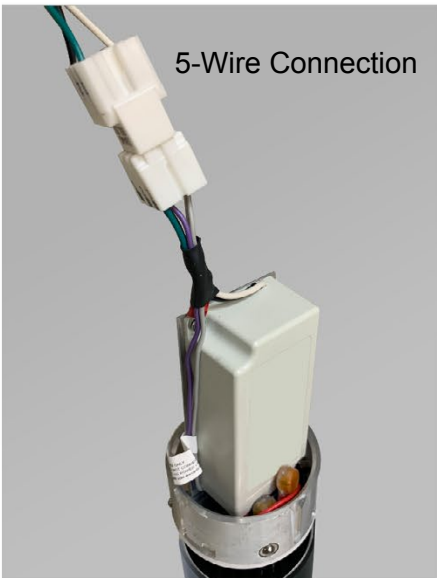
Step 5- Thread flange receiver into collar until contact with ceiling.
*Paint ceiling before flange install.

Step 3- Attach hanger bar with J-box assembly to ceiling joist. Assure surface of face plate has 1/2" offset from face (bottom) of joist. Collar can be reversed to accommodate additional ceiling thickness.

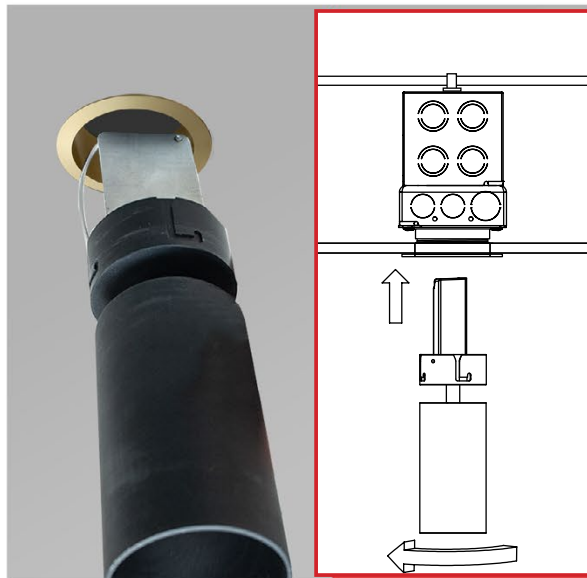


Step 4- Apply ceiling panels with proper cutout sizes (see drawing). Finish ceiling

5-Wire Connection



Step 6- Before starting step 7, make sure all electrical connections are working



Step 7- Match j-hook in fixture with grooves in receiver. Push up, turn to left until end of rotation, allow to drop into final position of J-hook. Base should be flush with ceiling. Finish.

RECOMMENDED:

Use included Safety Cable to connect lamp assembly to installed receiver

Note: This product must be installed in accordance with the applicable installation code by a person familiar with the construction and operation of the product hazards involved. It is recommended these products be installed by a qualified electrician.

B

Monopoint(4505) Plaster Install with Integral driver

INCLUDED**Ceiling Collar***

*Ceiling Collar is reversible when installing

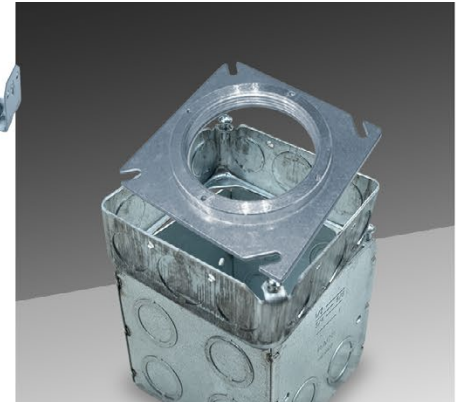
**Plaster Receiver****NOT INCLUDED**

Hanger Bar for RACO J-BOXES
Supplied by others
RACO- HUBBELL CAT#920

**J-Boxes Recommend
Supplied by others**

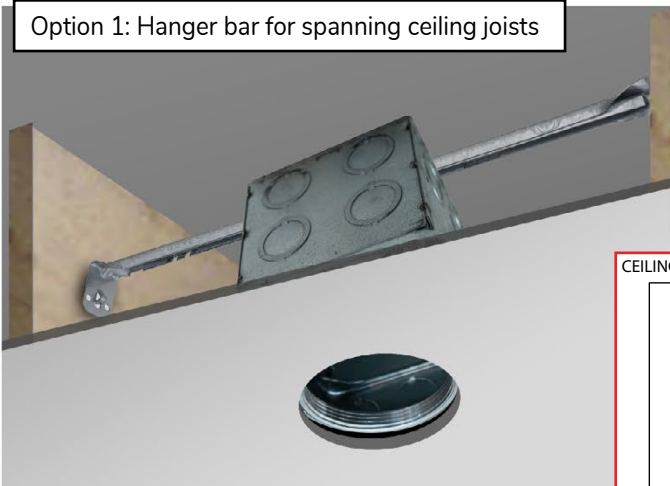
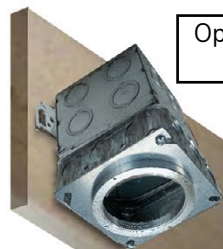
RACO PN#255 w/Bracket
or RACO PN#256 w/o Bracket

OPTIONAL:
RACO PN#201
1-1/2" Extension Box
(for additional wiring space)



Step 2- Attach face plate with threaded collar to junction box with 2 screws. Collar to be face down - towards inside of J-box. Threaded collar to be face up, towards floor, for ceiling thickness <1/2" reverse the direction of the collar". Tighten screws

Step 1- J-Boxes, hanger bars and/or mounting brackets are not included. Please purchase.

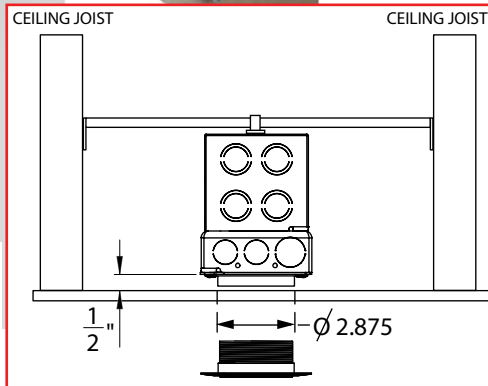
Option 1: Hanger bar for spanning ceiling joists**Option 2- J-Box nailed to side of joist**

Plaster over flange.
Allow to dry then paint



Step 5- Thread receiver into collar until contact with ceiling.

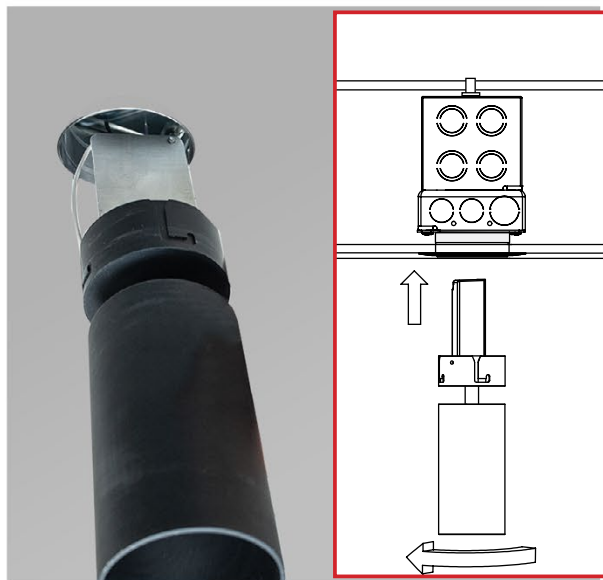
Step 3- Attach hanger bar with J-box assembly to ceiling joist. Assure surface of face plate has 1/2" offset from face (bottom) of joist. Collar can be reversed to accommodate additional ceiling thickness.



Step 4- Apply ceiling panels with proper cutout sizes (see drawing). Finish ceiling

5-Wire Connection

Step 6- Before starting step 7, make sure all electrical connections are working



Step 7- Match j-hook in fixture with grooves in receiver. Push up, turn to left to latch. Base should be flush with ceiling. Finish.

RECOMMENDED:

Use included Safety Cable to connect lamp assembly to installed receiver

Note: This product must be installed in accordance with the applicable installation code by a person familiar with the construction and operation of the product hazards involved. It is recommended these products be installed by a qualified electrician.



Monopoint(4505) Millwork Install with Integral driver

INCLUDED



Ceiling Collar*

*Ceiling Collar is reversible when installing



Millwork Receiver

NOT INCLUDED



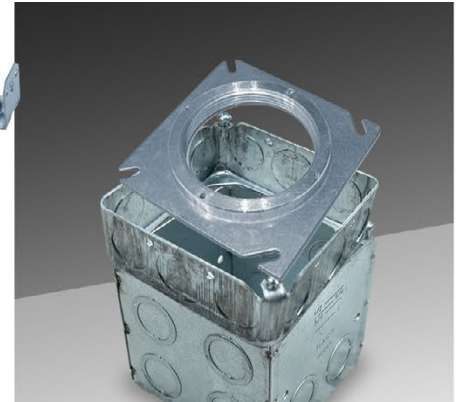
Hanger Bar for RACO J-BOXES
Supplied by others
RACO- HUBBELL CAT#920

OPTIONAL:
RACO PN#201

1-1/2" Extension Box (for additional wiring space) or RACO PN#256 w/o Bracket

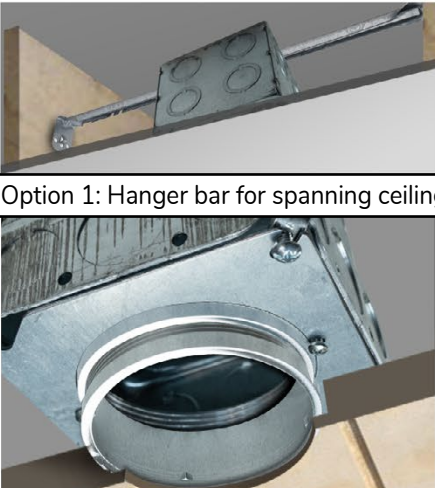
J-Boxes Recommend
Supplied by others

RACO PN#255 w/Bracket



Step 2- Attach face plate with threaded collar to junction box with 2 screws. Collar to be face down - towards inside of J-box. Threaded collar to be face up, towards floor, for ceiling thickness <1/2" reverse the direction of the collar". Tighten screws

Step 1- J-Boxes, hanger bars and/or mounting brackets are not included. Please purchase.

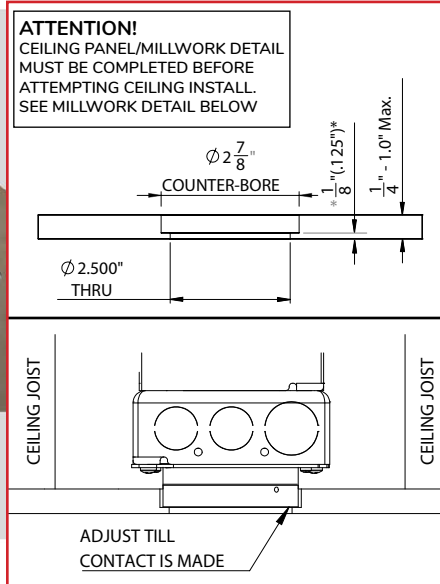


Option 1: Hanger bar for spanning ceiling joists

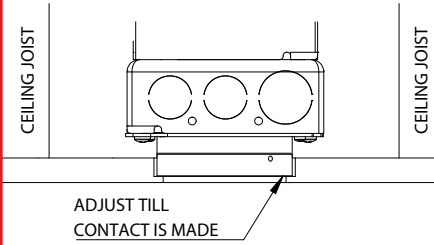
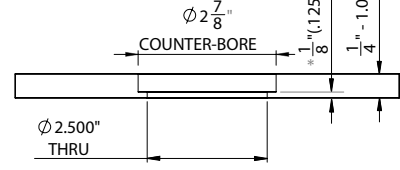


Option 2- J-Box nailed to side of joist

1/2" Gap from bottom of ceiling joist to the collar plate. *Do not include receiver in this measurement

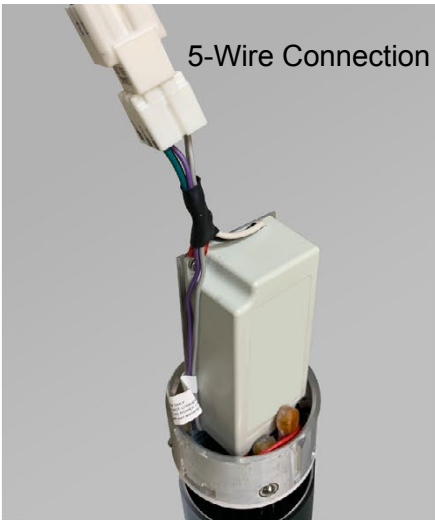


ATTENTION!
CEILING PANEL/MILLWORK DETAIL MUST BE COMPLETED BEFORE ATTEMPTING CEILING INSTALL. SEE MILLWORK DETAIL BELOW

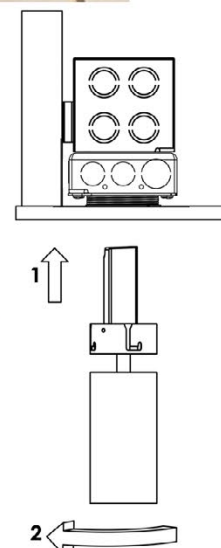


Step 3- Attach hanger bar with J-box assembly to ceiling joist. Assure surface of face plate has 1/2" offset from face (bottom) of joist. Fully thread receiver into collar plate.

Step 4 and Step 5 - Cut millwork (see cutout sizes above) before installing as ceiling. Adjust (back out) receiver so contact is made with millwork cutout when installing panel. Verify that the cutout is centered relative to the receiver.



5-Wire Connection



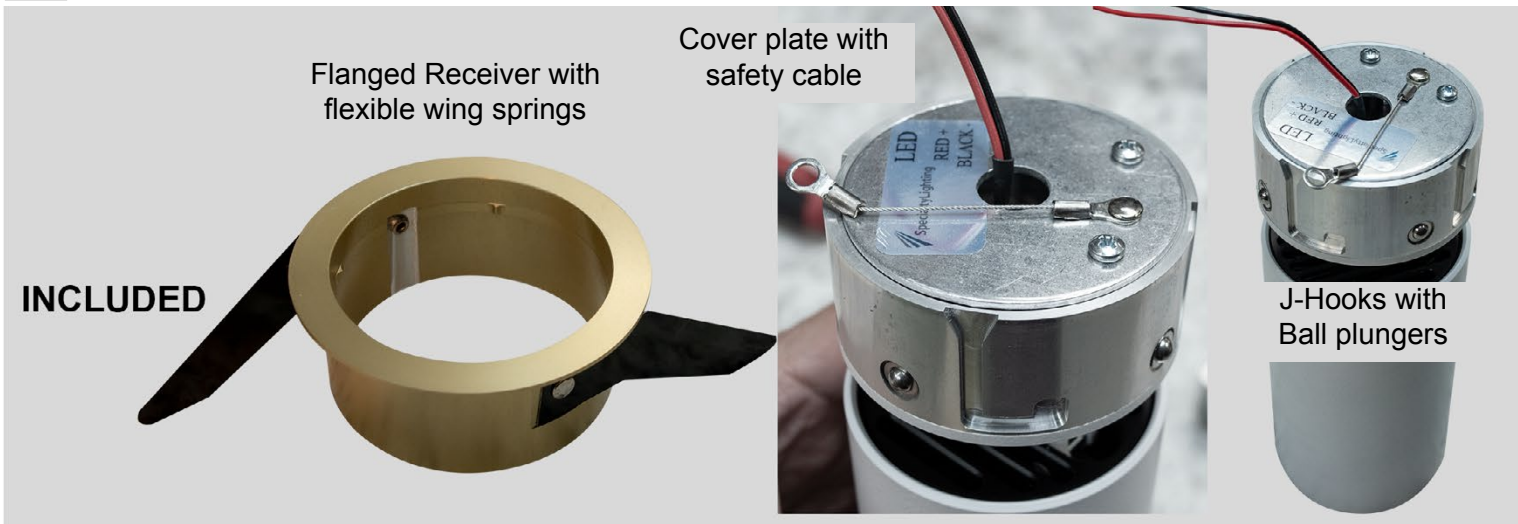
RECOMMENDED:
Use included Safety Cable to connect lamp assembly to installed receiver

Note: This product must be installed in accordance with the applicable installation code by a person familiar with the construction and operation of the product hazards involved. It is recommended these products be installed by a qualified electrician.

Step 6 and Step 7- Make sure all electrical connections are working before attempting to install Monopoint into ceiling. Match j-hook in fixture with grooves in receiver. Push up, turn to left to latch. Base should be flush with ceiling. Finish.

D

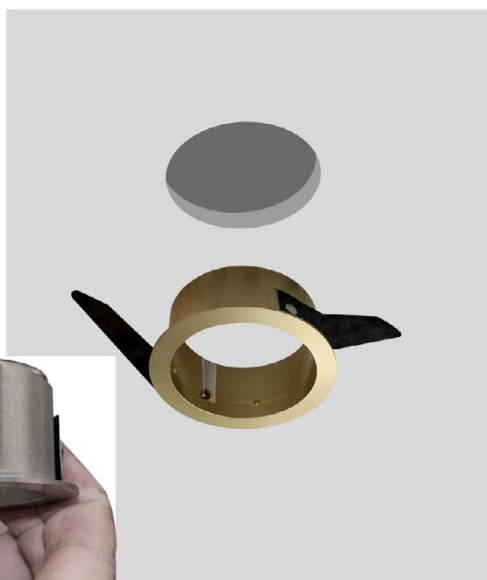
Monopoint(4505) Flanged Receiver Install with Remote Driver



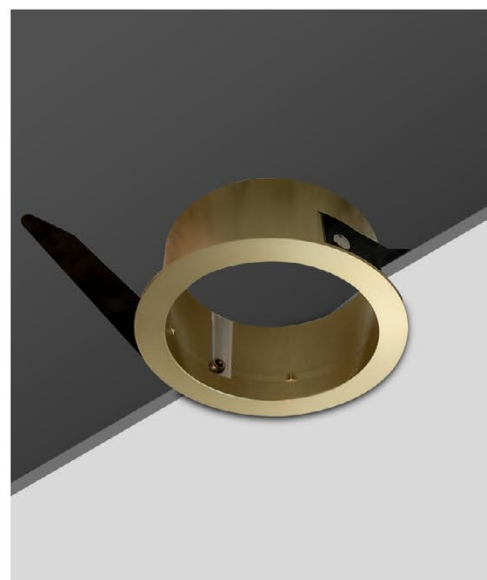
Step 1- All parts are included from flanged receiver to lamp assembly with safety cable.



Step 2- Cut hole in ceiling to specified size above. Paint ceiling before installing wing spring receiver.



Step 3- Fit flanged receiver through hole in ceiling. Wing springs can be bent to fit through cutout.



Step 4- Wing springs should catch into ceiling.



Step 5- Make sure all electrical connections are working

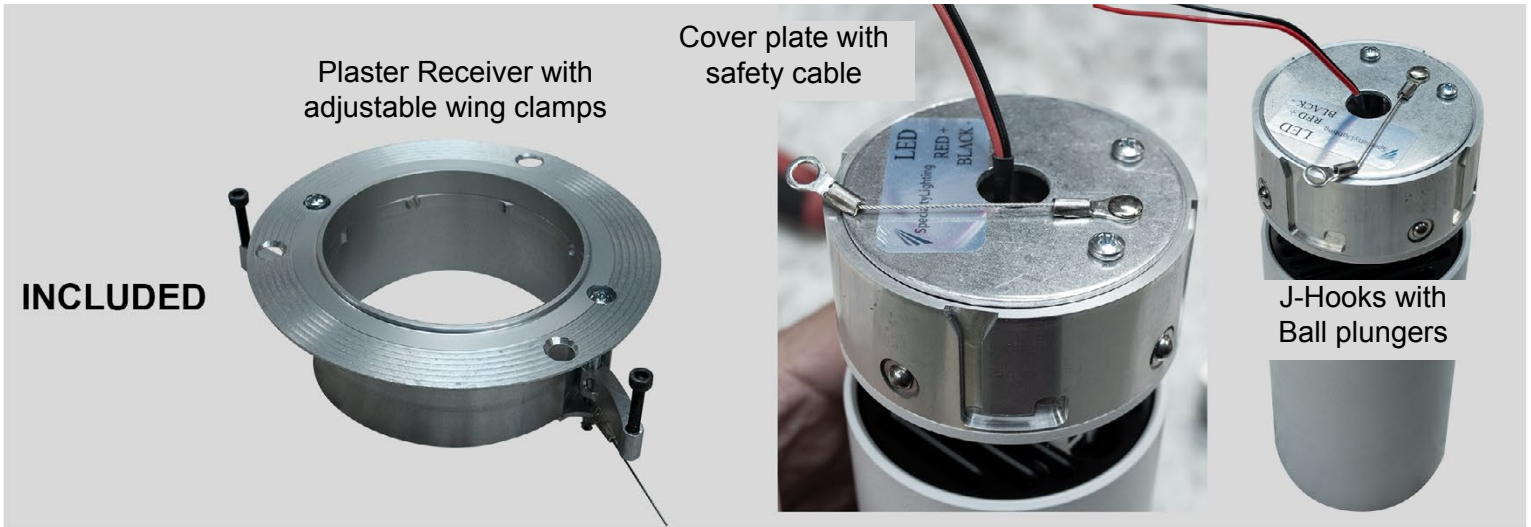


Step 6- Match J-hook in fixture with grooves in receiver. Push up, turn to left to latch. Base should be flush with ceiling. Finish.

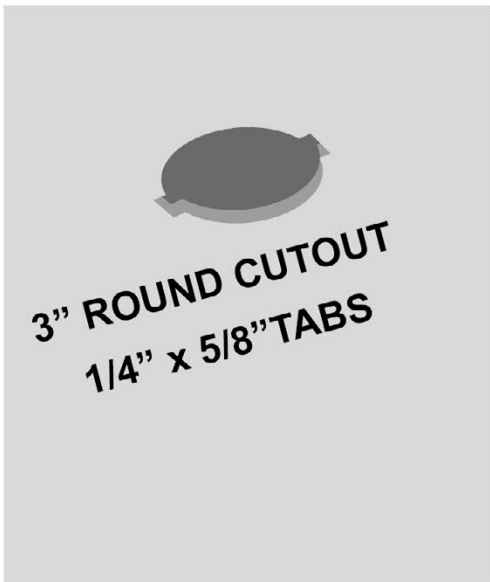
Note: This product must be installed in accordance with the applicable installation code by a person familiar with the construction and operation of the product hazards involved. It is recommended these products be installed by a qualified electrician.

E

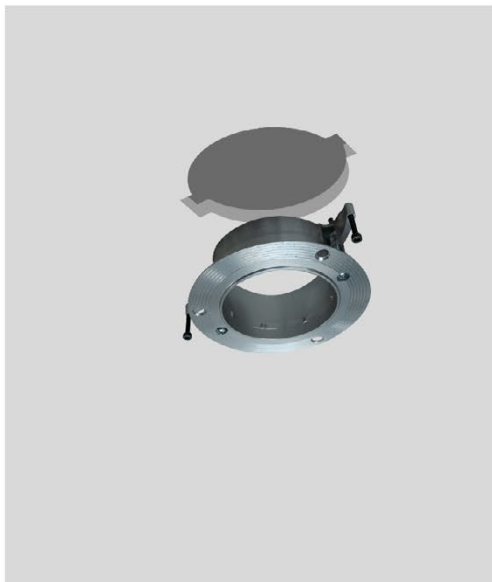
Monopoint(4505) Plaster Install with Remote Driver



Step 1- All parts are included from plaster receiver to lamp assembly with safety cable.



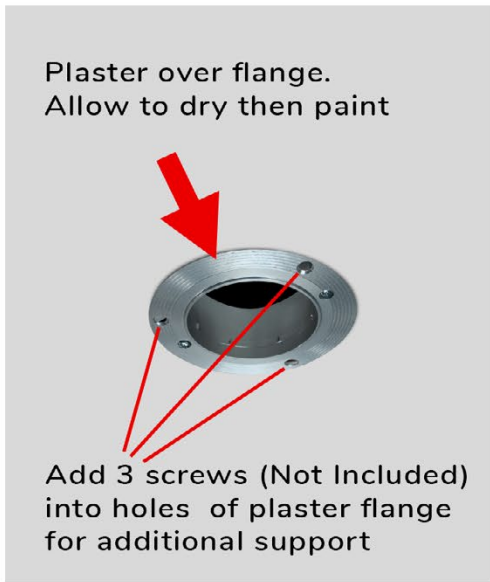
Step 2- Cut hole in ceiling to specified size above.



Step 3- Fit plaster flange through hole in ceiling



Step 4- Tighten (2) screws to adjust wing clamps to fit tight with ceiling and flange.



Step 5- Plaster and paint flange. Before starting step 6, make sure all electrical connections are working

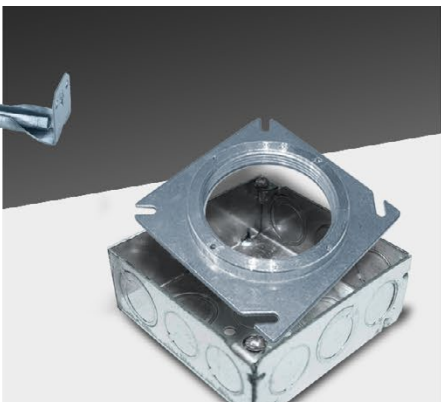
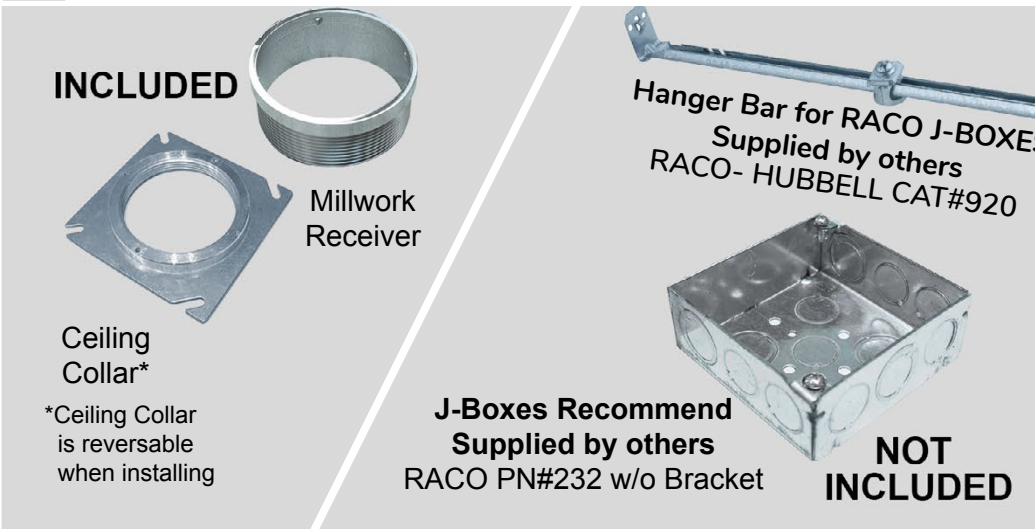


Step 6- Match J-hook in fixture with grooves in receiver. Push up, turn to left to latch. Base should be flush with ceiling. Finish.

RECOMMENDED:
Use included Safety Cable to connect lamp assembly to installed receiver

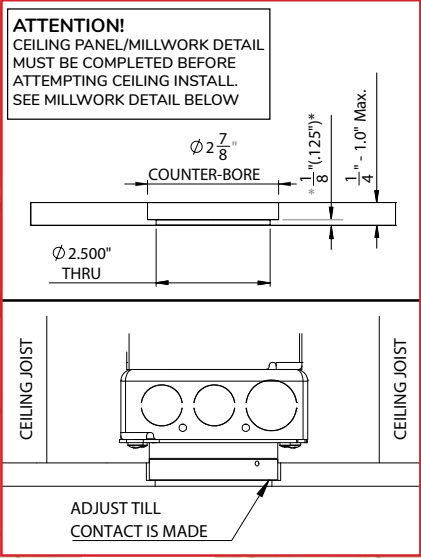
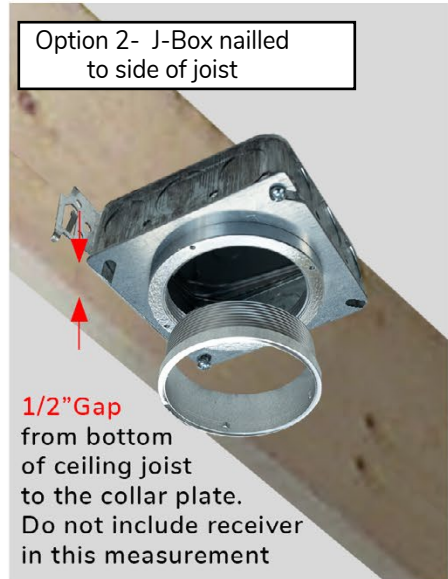
Note: This product must be installed in accordance with the applicable installation code by a person familiar with the construction and operation of the product hazards involved. It is recommended these products be installed by a qualified electrician.

Monopoint(4505) Millwork Install with remote driver



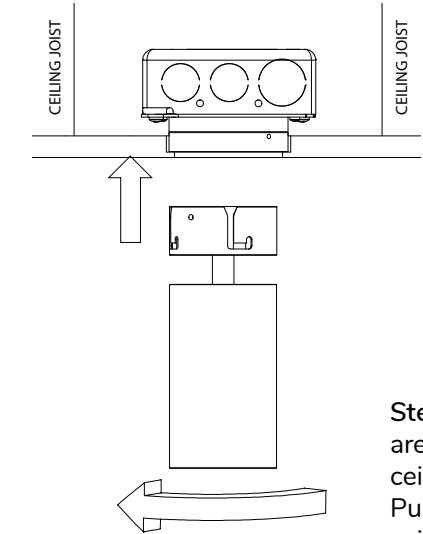
Step 2- Attach face plate with threaded collar to junction box with 2 screws. Collar to be face down - towards inside of J-box. Threaded collar to be face up, towards floor, for ceiling thickness <1/2" reverse the direction of the collar". Tighten screws

Step 1- J-Boxes, hanger bars and/or mounting brackets are not included. Please purchase.



Step 3- Attach hanger bar with J-box assembly to ceiling joist. Assure surface of face plate has 1/2" offset from face (bottom) of joist. Collar can be reversed to accommodate additional ceiling thickness. Install threaded receiver after collar plate has been installed.

Step 4 and Step 5 - Cut millwork (see cutout sizes above) before installing as ceiling. Adjust receiver so contact is made with millwork cutout when installing panel. Verify that the cutout is centered relative to the receiver.



RECOMMENDED:
Use included Safety Cable to connect lamp assembly to installed receiver

Note: This product must be installed in accordance with the applicable installation code by a person familiar with the construction and operation of the product hazards involved. It is recommended these products be installed by a qualified electrician.

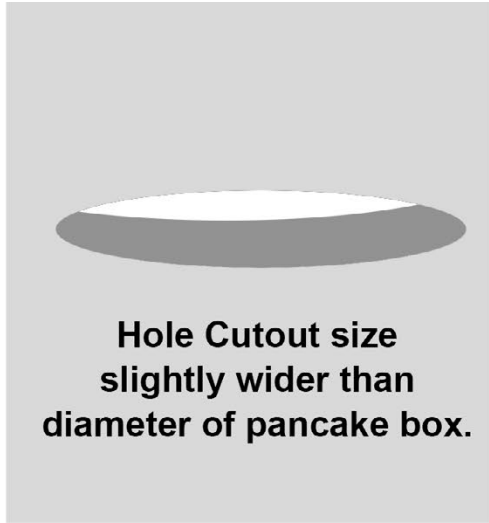
Step 6 and Step 7- Make sure all electrical connections are working before attempting to install Monopoint into ceiling. Match j-hook in fixture with grooves in receiver. Push up, turn to left to latch. Base should be flush with ceiling. Finish.

G

Monopoint(4505) Pancake Mount with Remote Driver



Step 1- Attach Pancake Box to structure Run wires through pancake box (Note: must be home run from remote driver)



Hole Cutout size slightly wider than diameter of pancake box.



screws Included with anodized finish to match canopy plate



Step 4- Mount GWB over pancake box and prep/finish ceiling.



Step 5- Make electrical connection – assure red to red (+) and black to black (-) . Test electrical.



Step 6- Screw canopy plate to pancake box with (2) #8 screws



Step 7- Repeat steps for other Monopoint fixtures



<p>ROW 1 A1 Black A2 Lime Green A4 Green A6 Forrest Green A7 Olive Drab A8 Pink</p>	<p>ROW 2 A9 Berry A10 Dark Pink A11 Purple A12 Lavender A13 Raspberry A14 Violet</p>	<p>ROW 3 A15 Violet 3D A16 Turquoise A18 Light Blue A19 Aqua Marine A20 Blue A21 Navy Blue</p>
<p>ROW 4 A22 Peach A24 Brown A26 Gold A28 Orange A30 Red A32 Clear</p>	<p>ROW 5 A34 Grey A36 Antique</p>	

NOTE-We can accomodate all anodized finishes with matching screws including standard painted White (P14).

Note: This product must be installed in accordance with the applicable installation code by a person familiar with the construction and operation of the product hazards involved. It is recommended these products be installed by a qualified electrician.