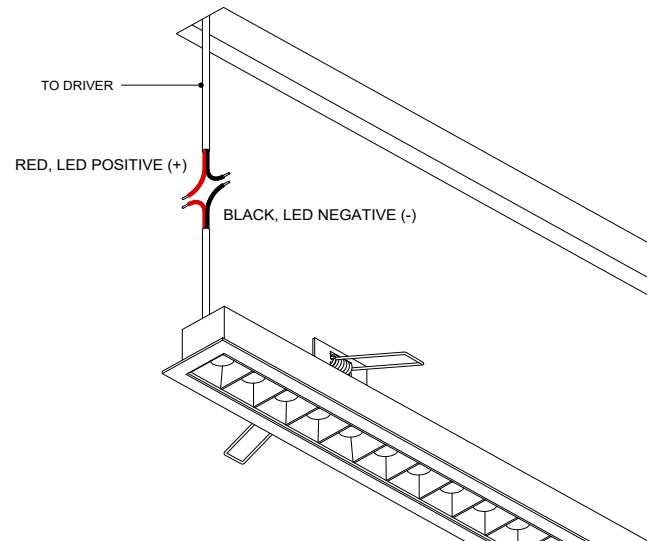


Cautions and Warnings

1. This product must be installed in accordance with the applicable installation code by a licensed electrician familiar with the construction and operation of the product and hazards involved.
2. Power must be OFF when connecting the fixture. "hot plugging" the light engine and driver will damage the LED source.
3. The light engine is low voltage and is factory wired to the driver DO NOT CONNECT LIGHT ENGINE TO MAINS AC POWER.
4. LEDs should be protected from dust and debris during installation and maintenance.
5. Polarity is important. Black must be connected to black and red connected to red.

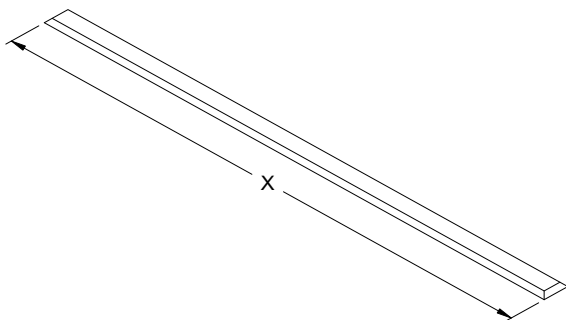
Step B

Connect leads from fixture to remote mounted driver. ENSURE RED (+) IS CONNECTED TO RED AND BLACK (-) IS CONNECTED TO BLACK.



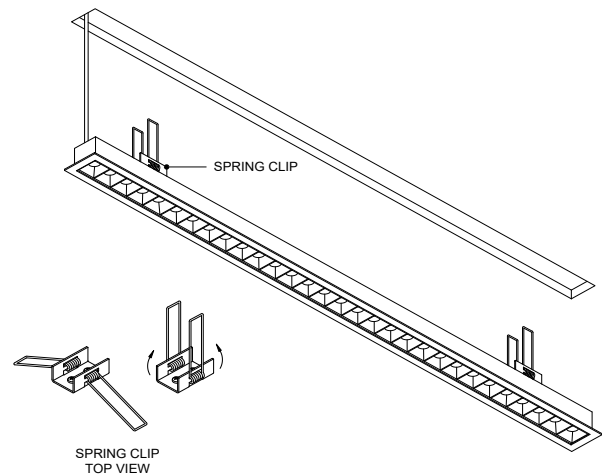
Step A

Refer to cutsheets for ceiling cutout dimensions based upon overall fixture length. Cut rectangular ceiling cut-out. Ceiling should be painted prior to installing fixture to prevent paint on overlapping flange.



Step C

Install fixture into cutout, turning spring clips upward so they are clear of the cut-out in the ceiling. Lift fixture into cut out until flange is in contact with ceiling and flush all around.



**** LED'S SHOULD BE PROTECTED FROM DUST AND DEBRIS DURING INSTALLATION AND MAINTENANCE**

[Click here to read full Care and Maintenance](#)

Step D

For run lengths that require multiple sections. Use joiner pins to align housing sections and push together or tap together using a mallet until the open ends of the extrusion meet and are flush.

