

Installation Instructions

Tenor5 Flanged

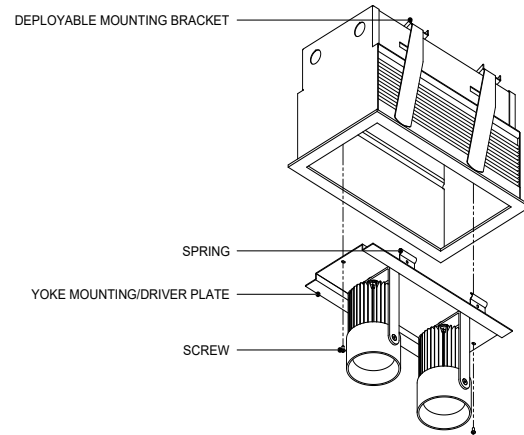
for JZT5-4 and JZT5-6 Flanged

Cautions and Warnings

1. This product must be installed in accordance with the applicable installation code by a licensed electrician familiar with the construction and operation of the product and hazards involved.
2. Power must be OFF when connecting the fixture. "hot plugging" the light engine and driver will damage the LED source.
3. The light engine is low voltage and is factory wired to the driver DO NOT CONNECT LIGHT ENGINE TO MAINS AC POWER.
4. LEDs should be protected from dust and debris during during installation and maintenance.
5. Polarity is important. Black must be connected to black and red connected to red.

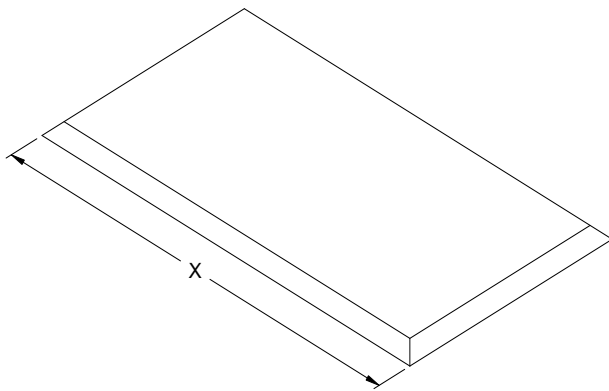
Step B

1. Remove yoke mounting/driver plates from housings by removing (2) screws and pulling until springs retaining plate in housing are clear of housing to gain access to adjust deployable mounting bracket.



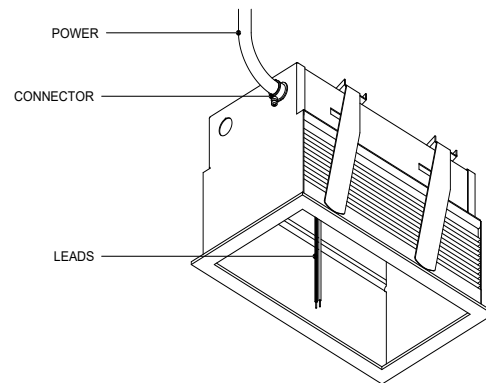
Step A

Cut rectangular ceiling cut-out. Refer to cutsheets for dimensions based upon 1, 2 or 3 head configuration. Ceiling should be painted prior to installing fixture to prevent paint on overlapping flange.



Step C

1. Prior to installing the housing in ceiling, connect power to housing at knock-out, leaving 6" leads in place for connections to yoke mounting plate and drivers.



** LED'S SHOULD BE PROTECTED FROM DUST AND DEBRIS DURING INSTALLATION AND MAINTENANCE

[Click here to read full Care and Maintenance](#)

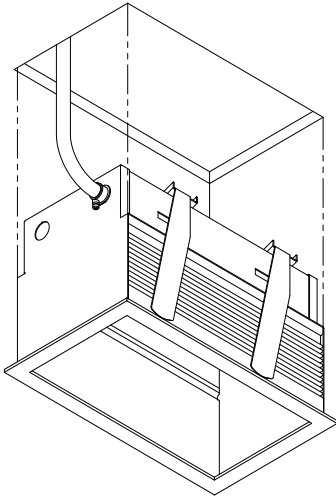
Installation Instructions

Tenor5 Flanged

for JZT5-4 and JZT5-6 Flanged

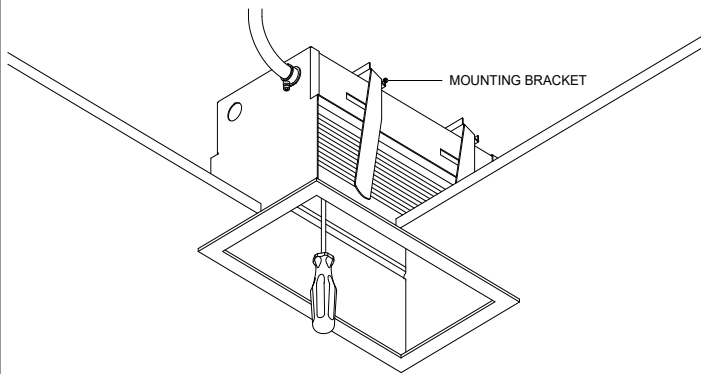
Step D

Lift housing into cut out until flange is in contact with ceiling and flush all around.



Step E

Turn mounting bracket adjustment screw until there is significant resistance. The mounting bracket should engage the ceiling. Repeat this for each mounting bracket. (Two headed and three headed versions will have two mounting brackets.)



Step F

Prior to reinstalling the yoke mounting/driver plate into housing, make electrical connection between housing and yoke mounting/driver plate, then secure plate to housing using supplied fasteners. Turn on power to check electrical connection.

