

# Installation Instructions Tenor5 Flangeless Continuous

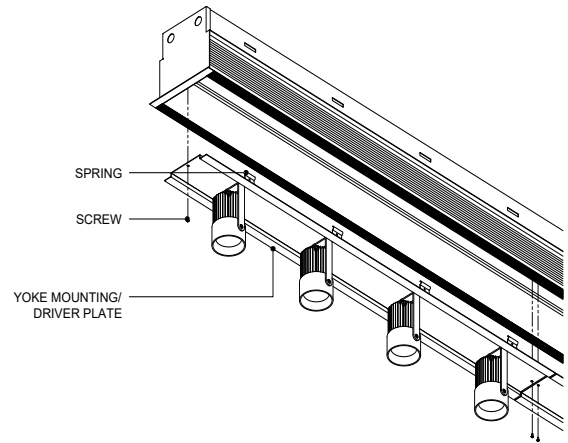
for JZT5-4C and JZT5-6C Flangeless

## Cautions and Warnings

1. This product must be installed in accordance with the applicable installation code by a licensed electrician familiar with the construction and operation of the product and hazards involved.
2. Power must be OFF when connecting the fixture. "hot plugging" the light engine and driver will damage the LED source.
3. The light engine is low voltage and is factory wired to the driver DO NOT CONNECT LIGHT ENGINE TO MAINS AC POWER.
4. LEDs should be protected from dust and debris during during installation and maintenance.
5. Polarity is important. Black must be connected to black and red connected to red.

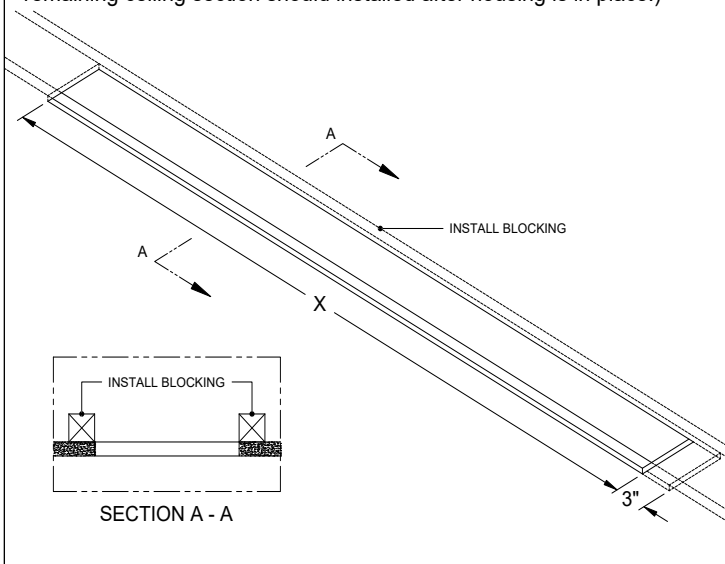
## Step B

Remove yoke mounting/driver plates from housings by removing (2) screws and pulling until springs retaining plate in housing are clear of housing to pull power into fixture compartment.



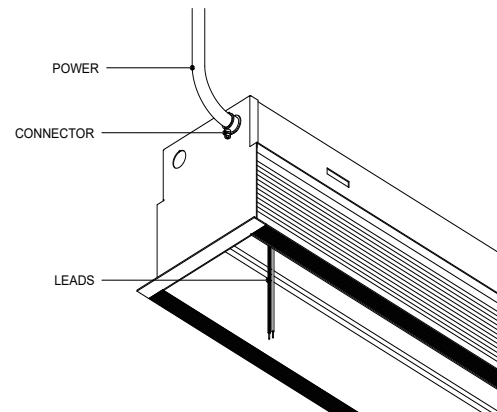
## Step A

Refer to cutsheets for ceiling cutout dimensions based upon overall fixture length. Install blocking, tied to framing based upon ceiling cut-out dimensions. Cut rectangular ceiling cut-out and install sheetrock so that ceiling cut-outs and blocking align. (For housings that are provided in multiple sections and require joining in the field, one of the ends should be left open to allow room for joining the fixture in the ceiling. This remaining ceiling section should installed after housing is in place.)



## Step C

Prior to installing the housing in ceiling. Connect power to housing at knock-out, leaving 6" leads in place for connections to yoke mounting plate and drivers.



\*\* LED'S SHOULD BE PROTECTED FROM DUST AND DEBRIS DURING INSTALLATION AND MAINTENANCE

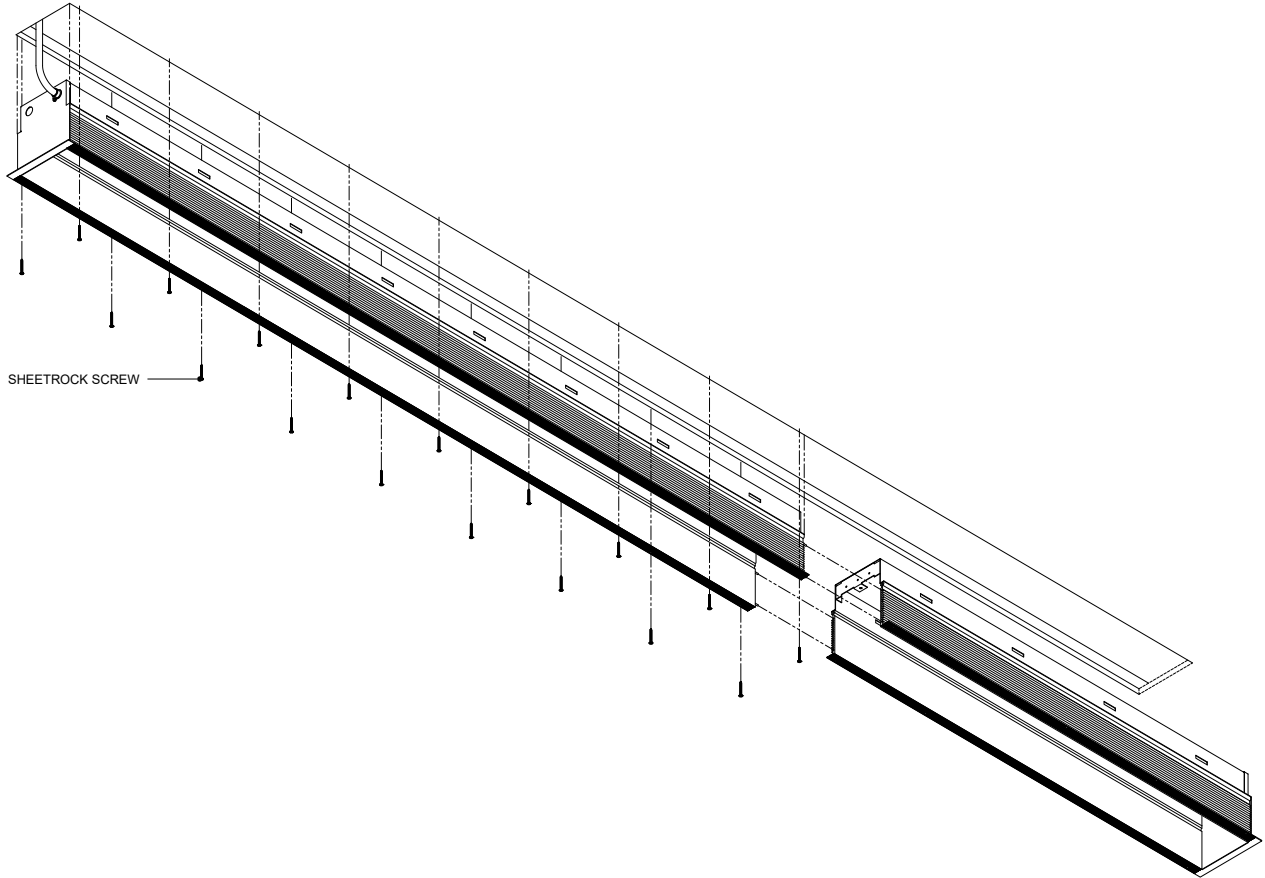
[Click here to read full Care and Maintenance](#)

# Installation Instructions Tenor5 Flangeless Continuous

for JZT5-4C and JZT5-6C Flangeless

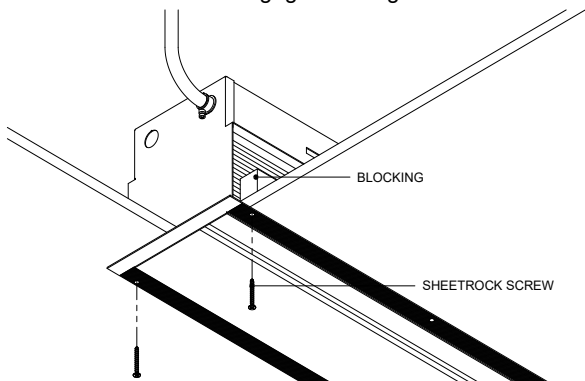
## Step D

Lift end housing section into cut out until mud flange is in contact with ceiling and flush all around.



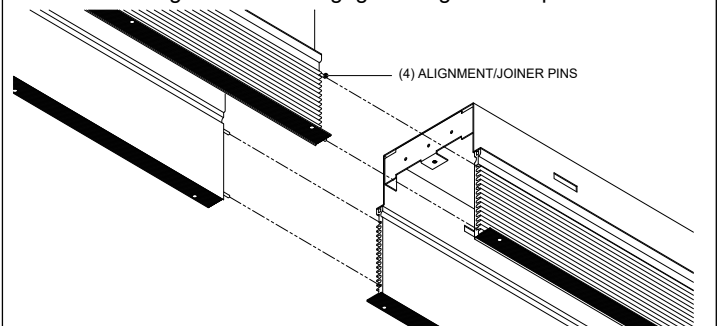
## Step E

Secure housing to ceiling/blocking using appropriately sized sheetrock screws to engage blocking a minimum of 3/4".



## Step F

Lift subsequent sections in place using pin/joiner to connect housings to each other. This may be pushed or tapped using a rubber mallet until the two extruded sides meet and are flush. Turn mounting brackets to engage ceiling as in step E.

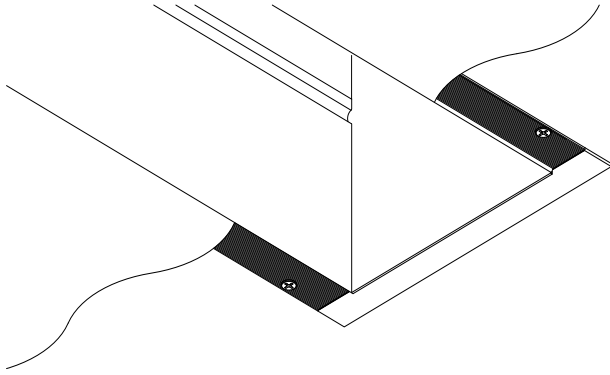


# Installation Instructions Tenor5 Flangeless Continuous

for JZT5-4C and JZT5-6C Flangeless

## Step G

Install remaining end ceiling section, then finish ceiling, including mudding or plastering mud flange. (Take care not to get paint or joint compound within housing.)



## Step H

Prior to reinstalling the yoke mounting/driver plates into housing, make electrical connection between housing and yoke mounting/driver plate, then secure plate to housing using supplied fasteners. Install subsequent plates, making electrical connections between plates and securing plates to housing until all plates are electrified and secured within housing. Turn on power to check electrical connection.

